



**APS Paintball Limited**  
Unit B, 22/F, 77-87 Wang Lung Street,  
Richwealth Ind. Bldg., Tsuen Wan, HK  
Tel: (852) 2409-4466 Fax: (852) 2409-9632  
info@apsram.com www.apsram.com

**For our RAM fans, we are proudly present to you the new durable lightweight SP Cylinder for our RAMs. The new Stainless Steel & Aluminum cylinder collection includes 5 styles for your special need:**

**SPX-M4** – This cylinder is particularly designed to use with the realistic cylinder adaptor (r-tube) on your R-series RAM. With the pin valve, it can be used either with 2 of 12g disposable cylinder or as a refillable cylinder (30g store capacity). With this SPX-M4, your RAM will be the most realistic than ever.



**SPX-12** – Same as SPX-M4, this new design cylinder can also be used with 2 of 12g disposable cylinders or used as a refillable cylinder (40g store capacity). In addition, it can be used on our RAM rifles (except RAM13S and rifle with R-tube)



**SPX-13S** – The SPX-13S is intended to hidden inside the collapsible butt stock for RAM13S with two 12g disposable cylinders. However, SPX-13S is not capable to refill.



**DPX-68** – The only cylinder in the market provide most convenience for turning on the cylinder without turning the knob. Although it is particularly deigned for RAM68, it can be used in all collapsible stock RAM rifle.



**SPB-60** – This redesigned refillable cylinder is equipped with a Gas on/off Knob at the end of cylinder. This is designed to recharge RAM pistols. The maximum cylinder store capacity is 60g of CO2.



Note: some of the cylinders can be used to refill the pistol RAM with proper adaptor, please contact us more details.



	SPX-M4	SPX-12	SPX-13S	DPX-68	SPB-60
R-series		√		√	√
R-series (with R-tube)	√				
A-series		√			√
B-series		√		√	√
RAM-11S		√			√
RAM-13S			√		
Pistol RAM RAM-12S (for charge only)	√	√			√

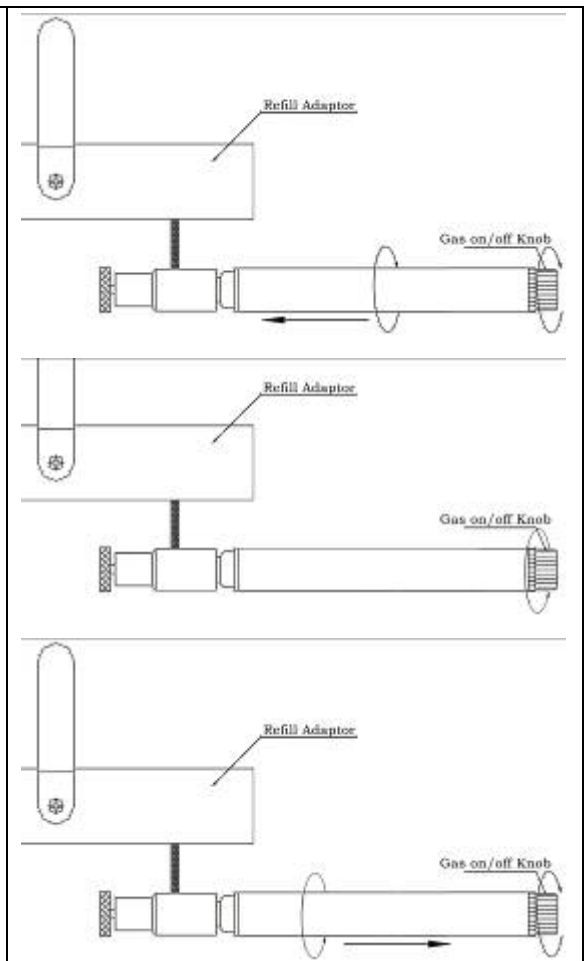
### SPB-60 CO2 Refilling Procedures

#### **STEP 1: Cool down and reduce the pressure**

1. Install the SPB-60 cylinder onto the Fill Station and turn the Gas on/off Knob on.
2. Refill the SPB-60 cylinder by turning on the Gas Valve on the Fill Station and turn on the Gas on/off Knob on the cylinder. After 5 second, turn off the Gas Valve on the Fill Station.
3. Release the CO2 on the SPB-60 by turning the Gas Release Valve on the Fill Station.
4. Turn off the Gas Release Valve on the Fill Station.

#### **STEP 2: Refill CO2 to SPB-60**

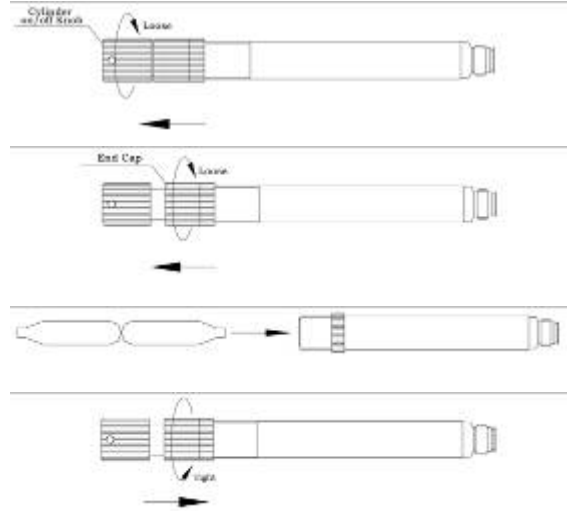
1. Refill the SPB-60 cylinder by turning on the gas valve on the Fill Station and turn on the Gas on/off Knob on the cylinder.
  2. After 45-50 seconds, turn off both Gas Valve on the Fill Station and Gas on/off Knob on the cylinder.
  3. Release the CO2 inside the Fill Station by turning the Gas Release Valve on the Fill Station.
  4. Remove the SPB-60 cylinder and complete refilling procedures.
- For information on Fill Station manual, please refer to the Fill Station manufactory.





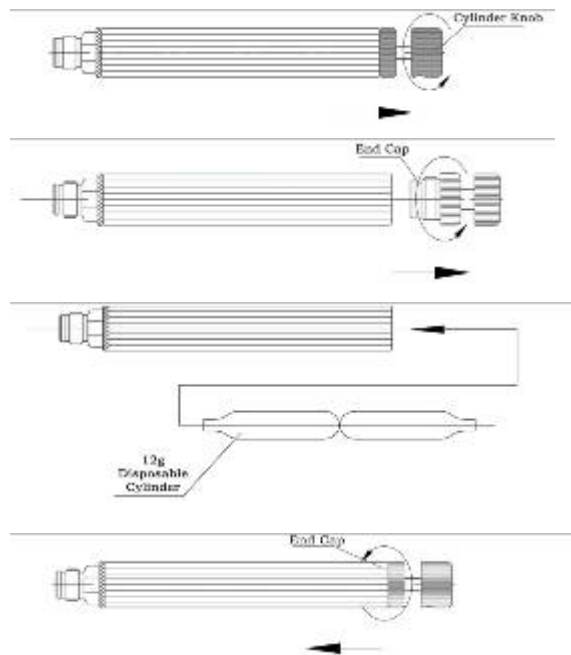
### SPX-M4 CO2 Refilling Procedures

1. Turn the Cylinder on/off Knob anti-clockwise;
  2. Remove the End Cap from the Cylinder Adaptor;
  3. Install two 12g Disposable Cylinders into the Cylinder Adaptor with end to end;
  4. Put back the End Cap on Cylinder Adaptor;
- To use the cylinder, install the cylinder on the marker and turn the Cylinder on/off Knob all the way until it is tight.
  - Empty the CO2 before un-install the cylinder.



### SPX-12 CO2 Refilling Procedures

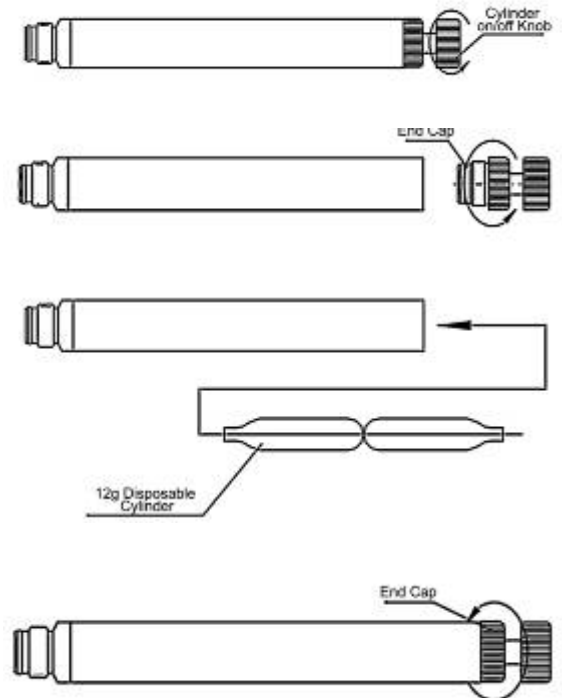
1. Turn the Cylinder on/off Knob anti-clockwise;
  2. Remove the End Cap from the Cylinder Adaptor;
  3. Install two 12g Disposable Cylinders into the Cylinder Adaptor with end to end;
  4. Put back the End Cap on Cylinder Adaptor;
- To use the cylinder, install the cylinder on the marker and turn the Cylinder on/off Knob all the way until it is tight.
  - Empty the CO2 before un-install the cylinder.





### SPX-13S CO2 Refilling Procedures

1. Turn the Cylinder on/off Knob anti-clockwise;
  2. Remove the End Cap from the Cylinder Adaptor;
  3. Install two 12g Disposable Cylinders into the Cylinder Adaptor with end to end;
  4. Put back the End Cap on Cylinder Adaptor;
- To use the cylinder, install the cylinder on the marker and turn the Cylinder on/off Knob all the way until it is tight.
  - Empty the CO2 before un-install the cylinder.



### DPX-68 CO2 Refilling Procedures

1. Pull the Cylinder on/off Knob out;
  2. Unscrew the End Cap from the Cylinder Adaptor;
  3. Install two 12g Disposable Cylinders into the Cylinder Adaptor with end to end;
  4. Put back the End Cap on Cylinder Adaptor;
- To use the cylinder, install the cylinder on the marker and hit the end of the Cylinder Adaptor to the ground for puncturing the 12g Co2 disposable Cylinders.
  - Empty the CO2 before un-install the cylinder.

